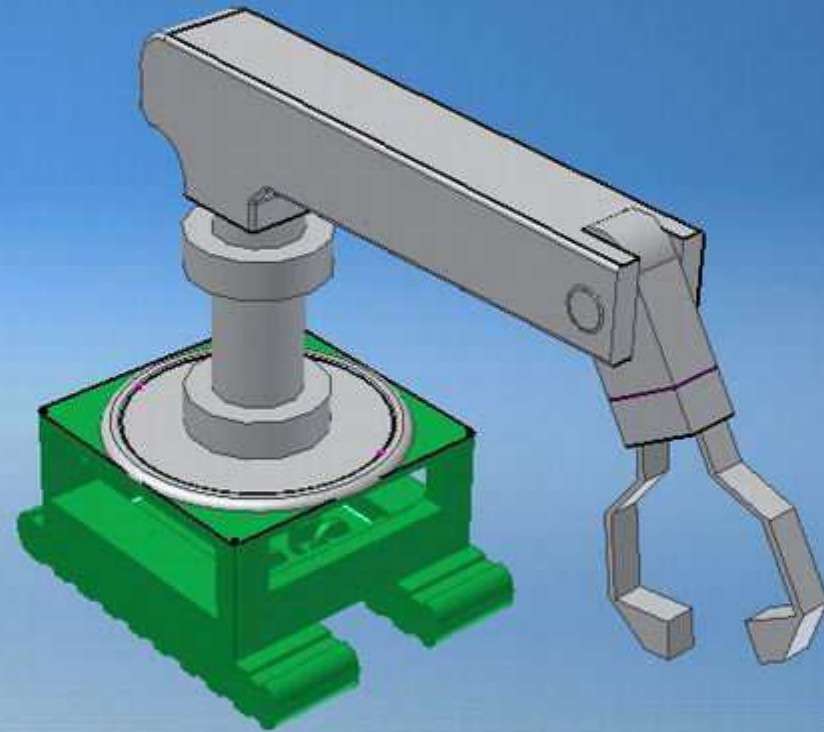
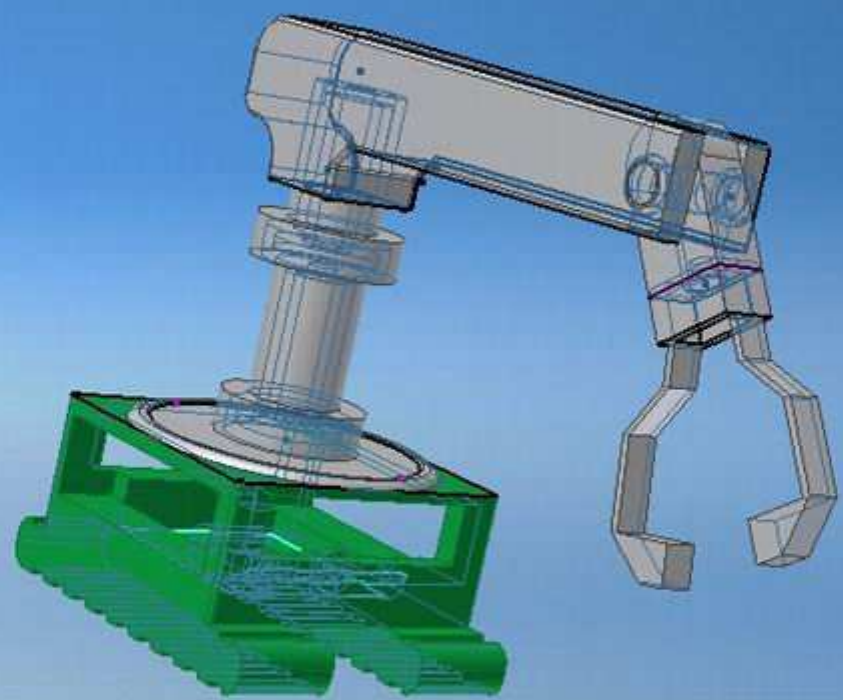
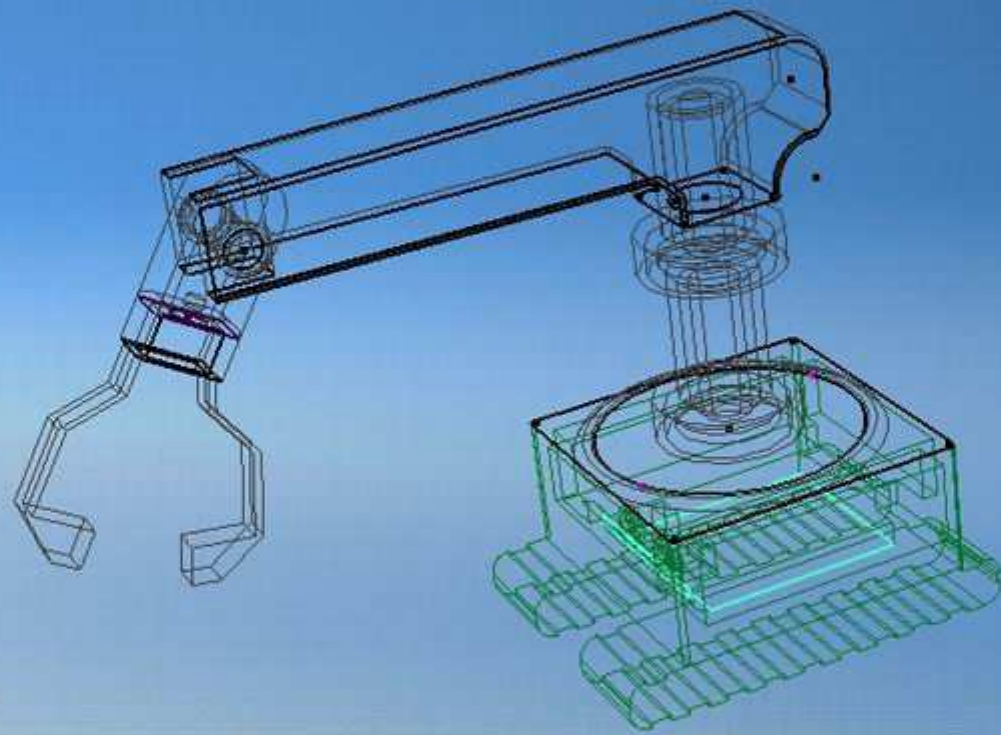
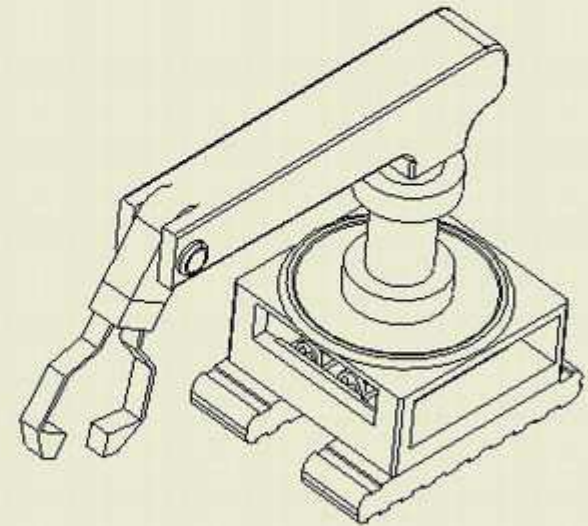
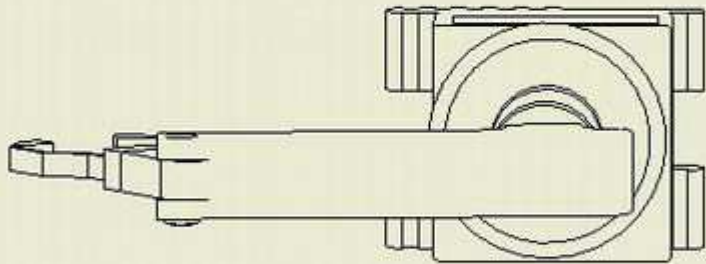
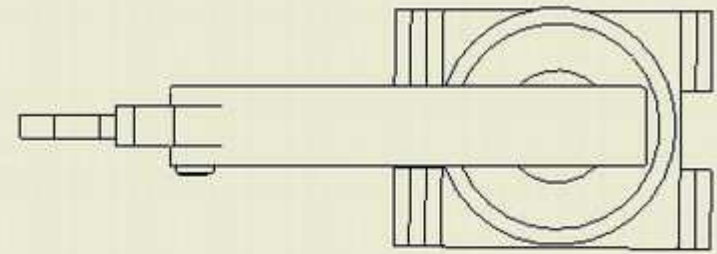
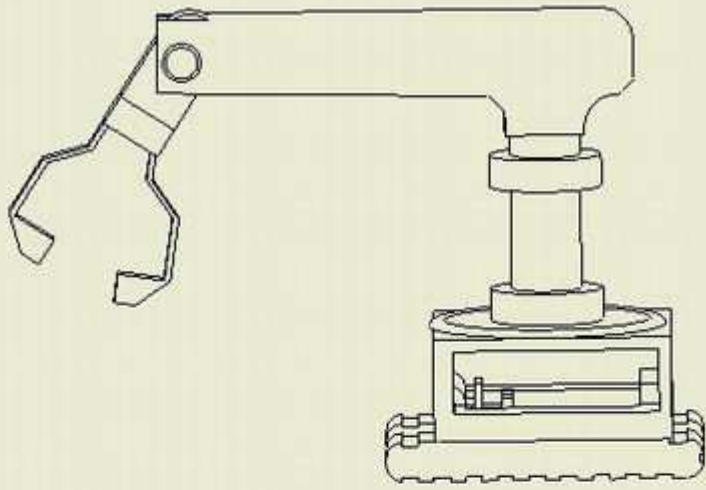


Designed by Sitor Suen	Checked by	Approved by - date	Date 2022-02-03
			Sheet 1 / 1

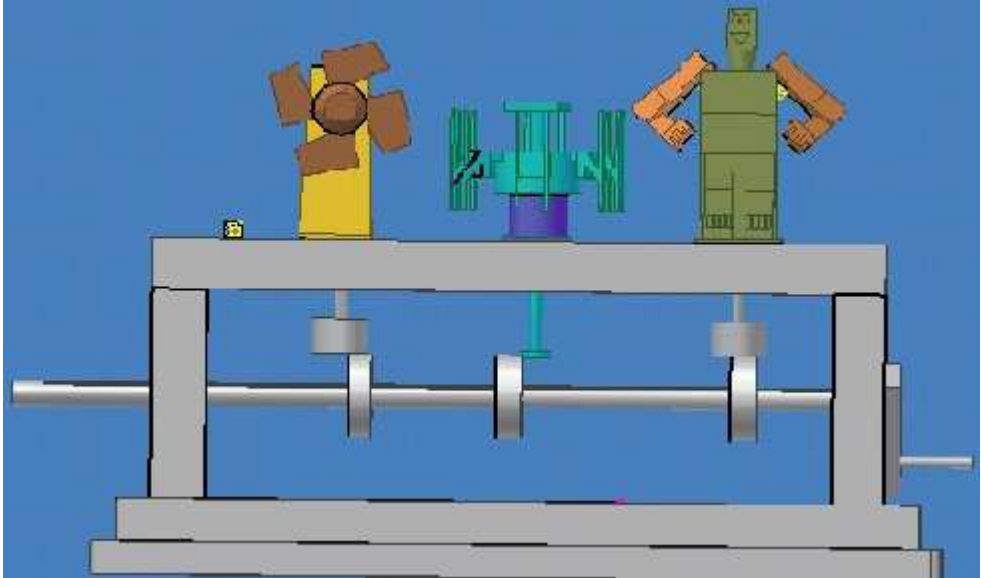


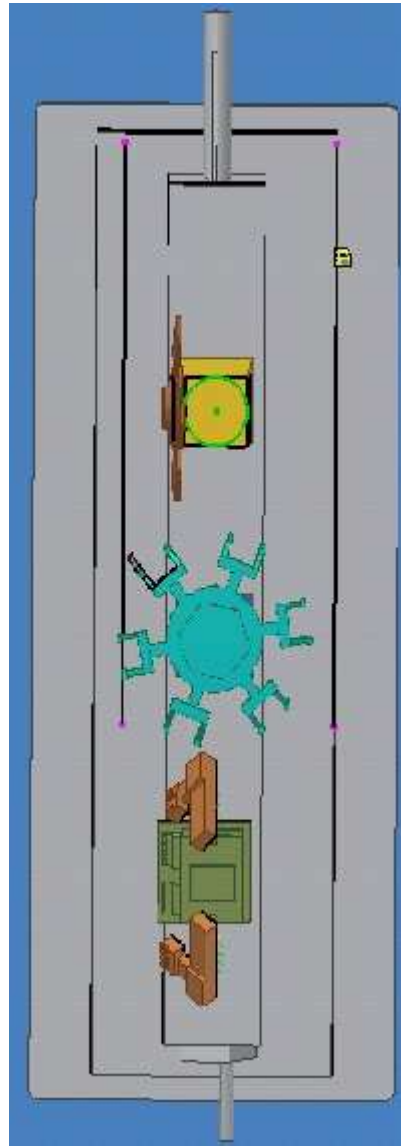


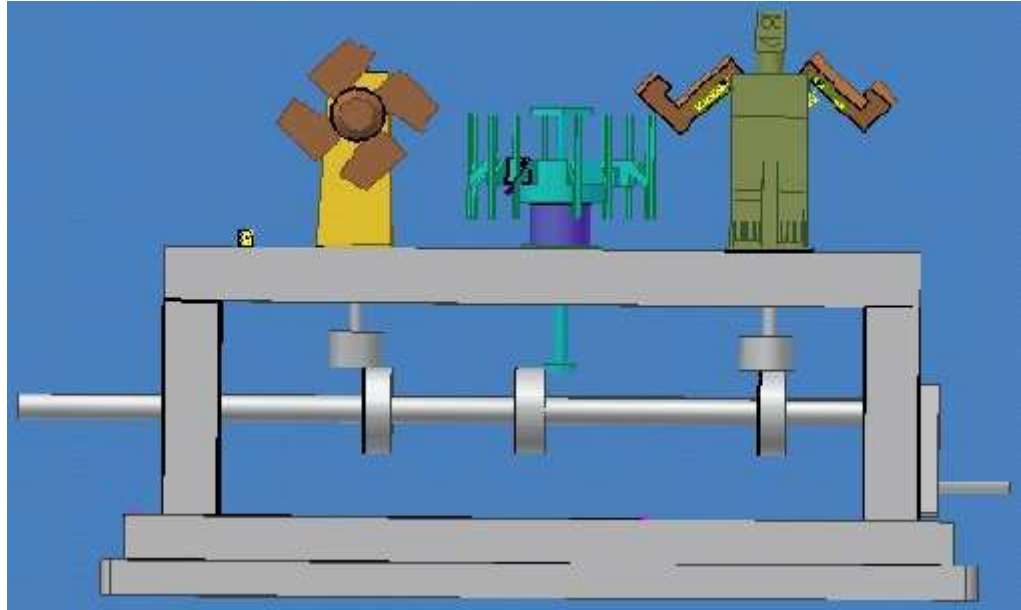


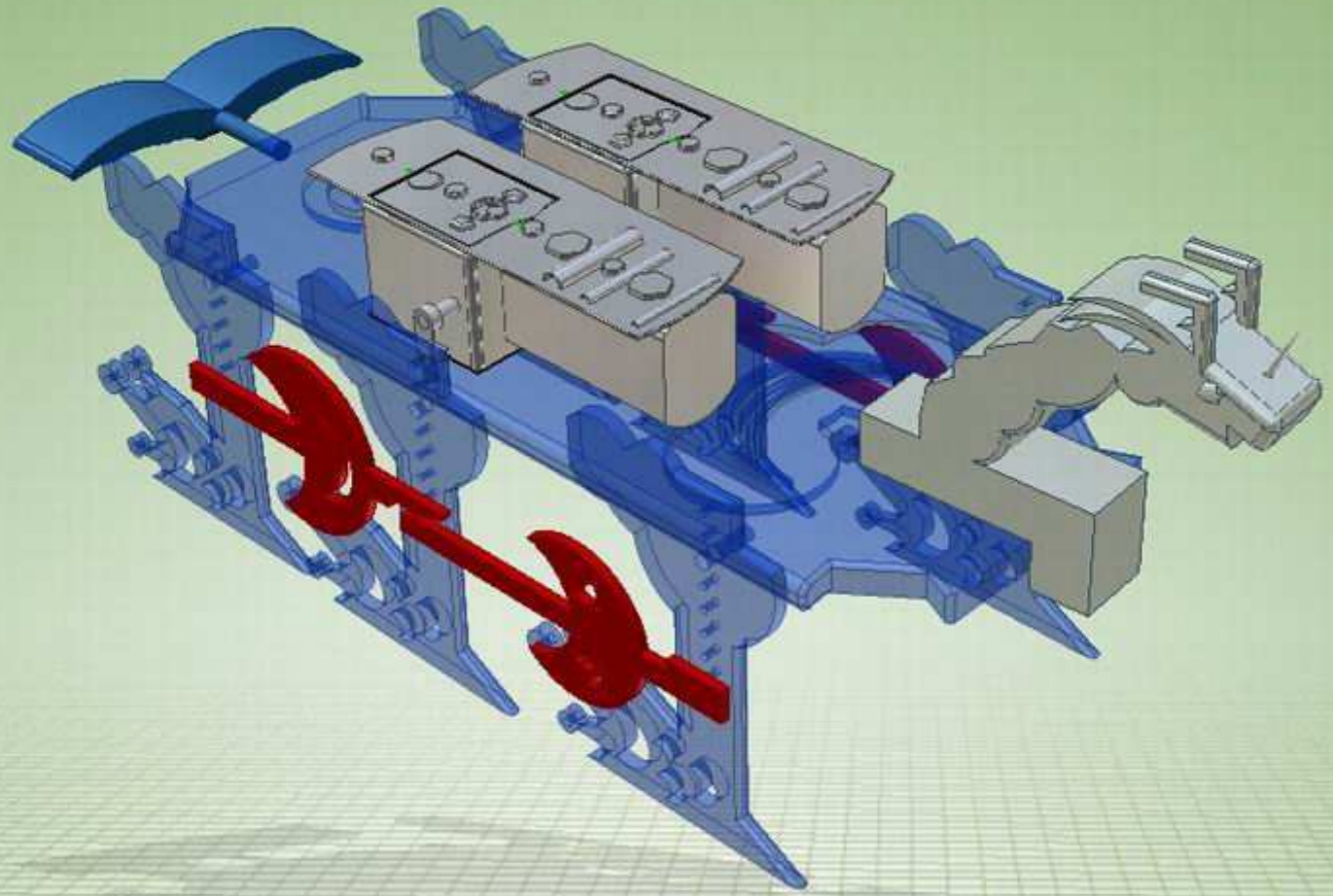


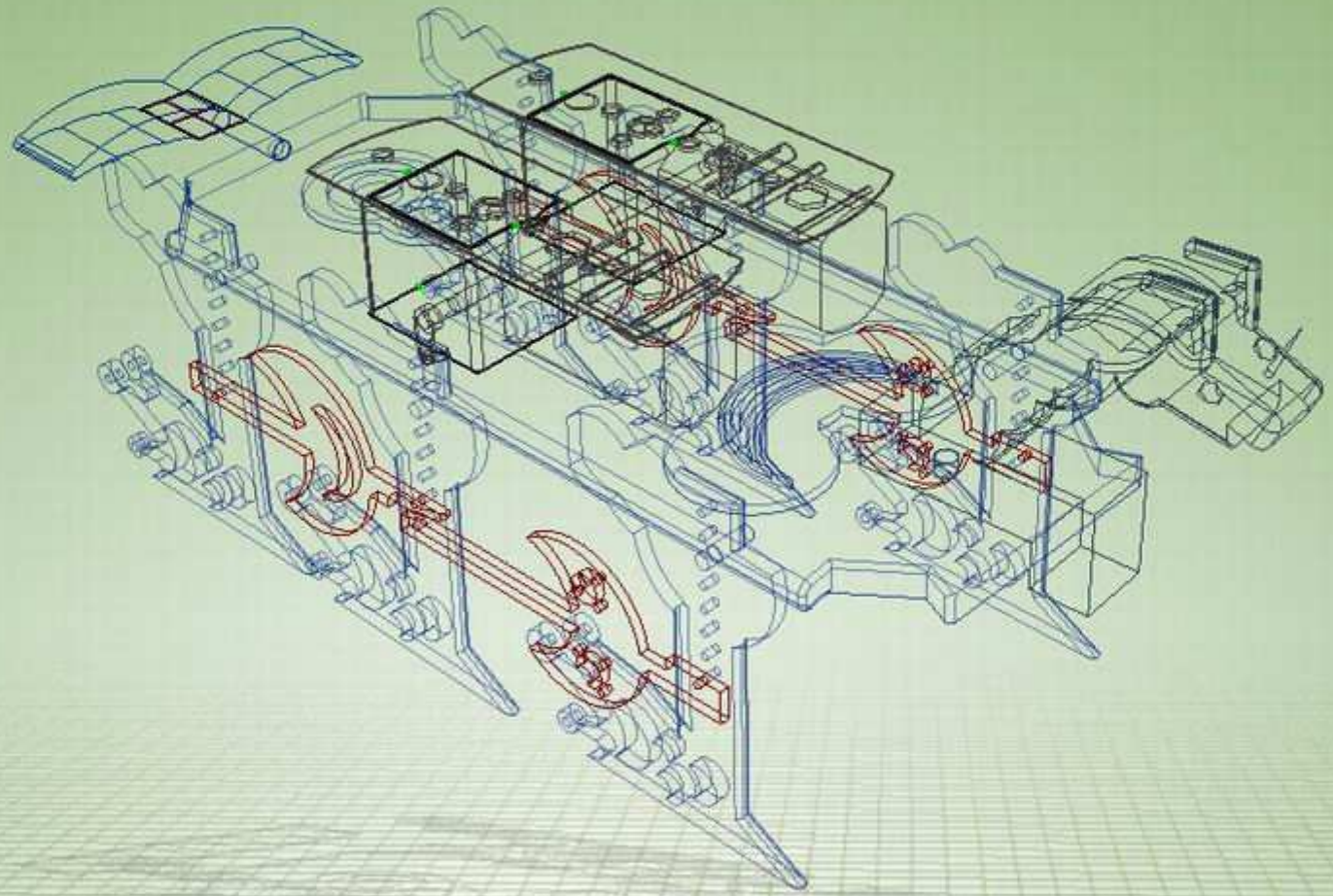
Designed by Owner	Checked by	Approved by - date	Date 28/5
		Drawing1	

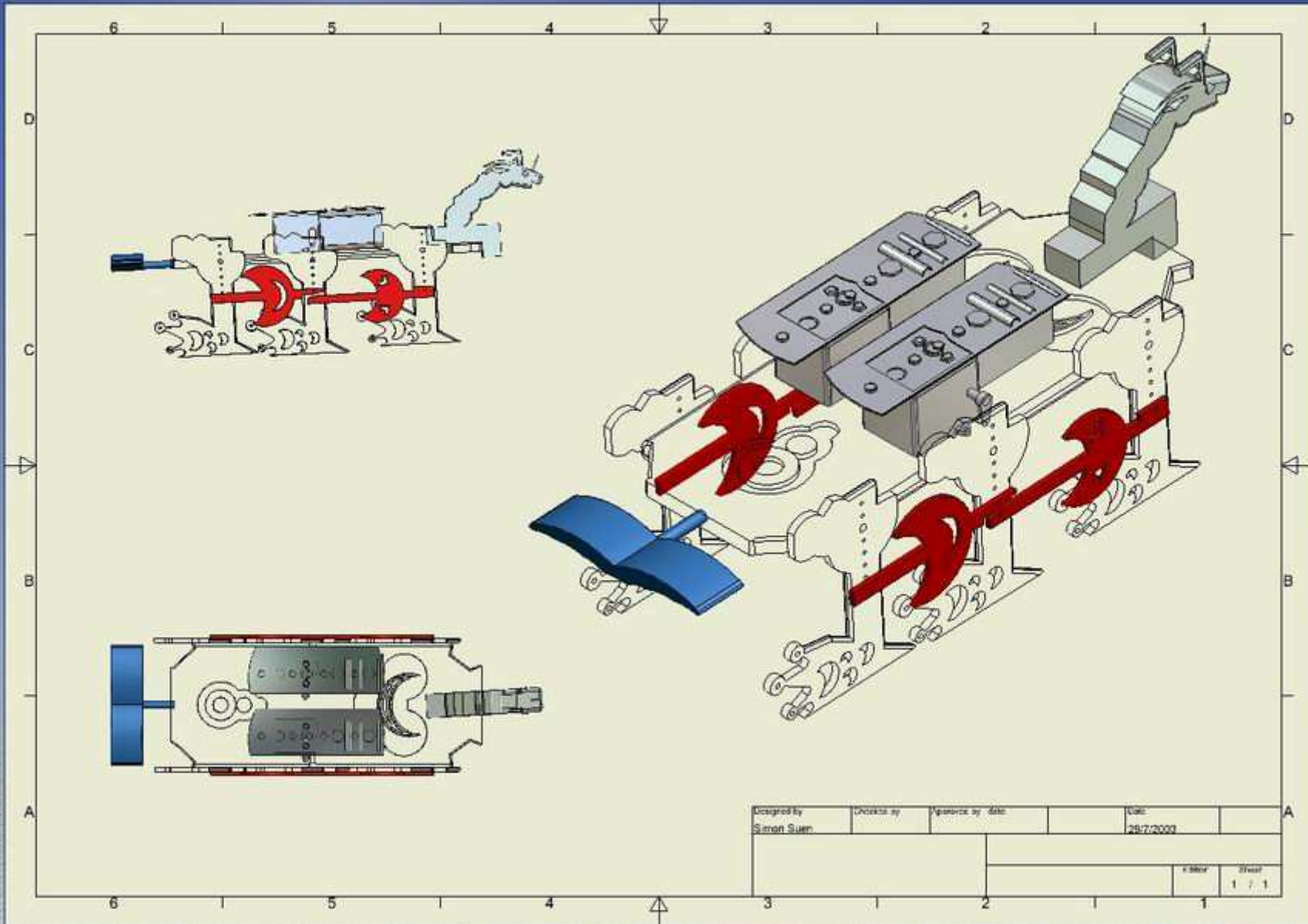




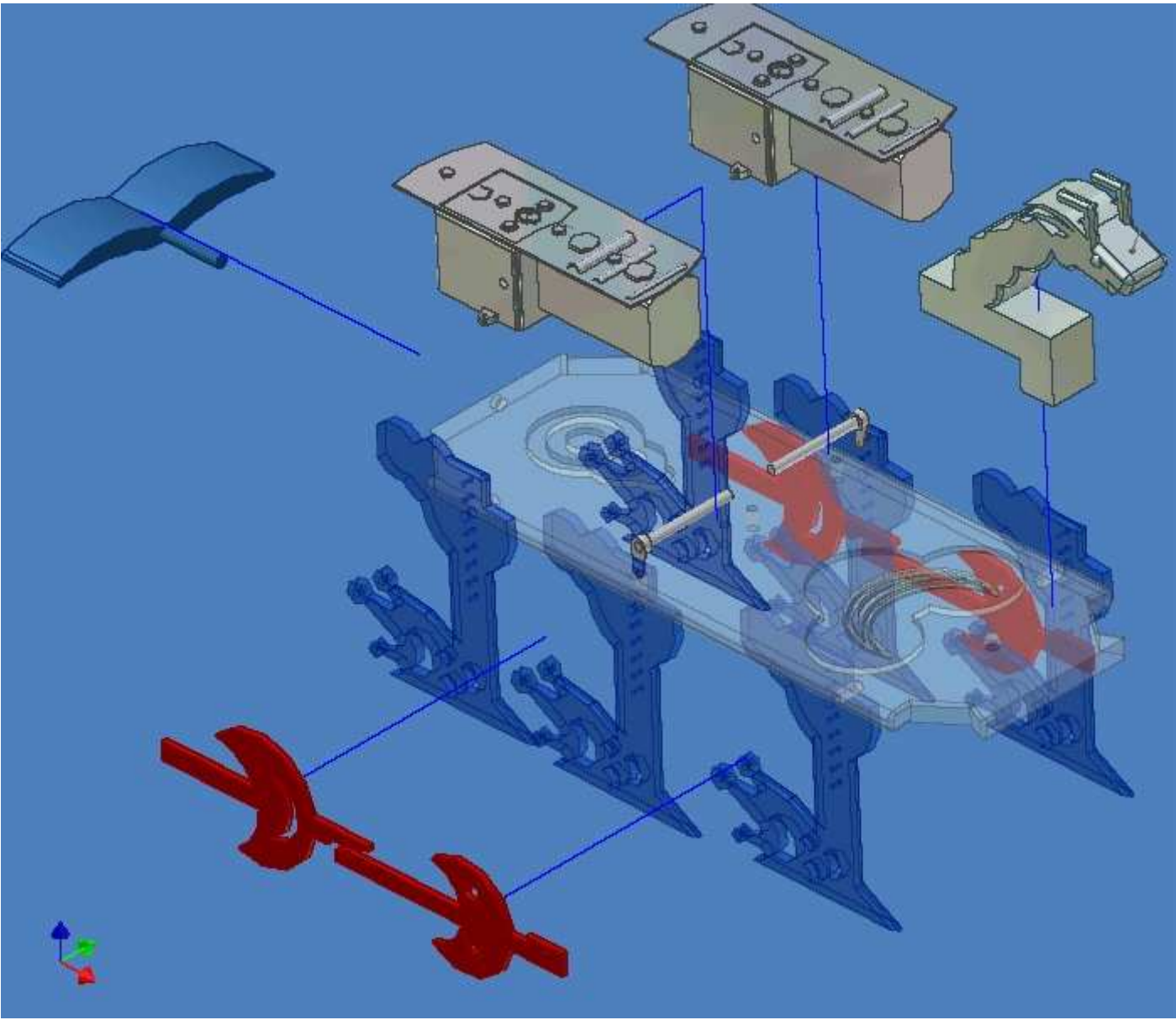


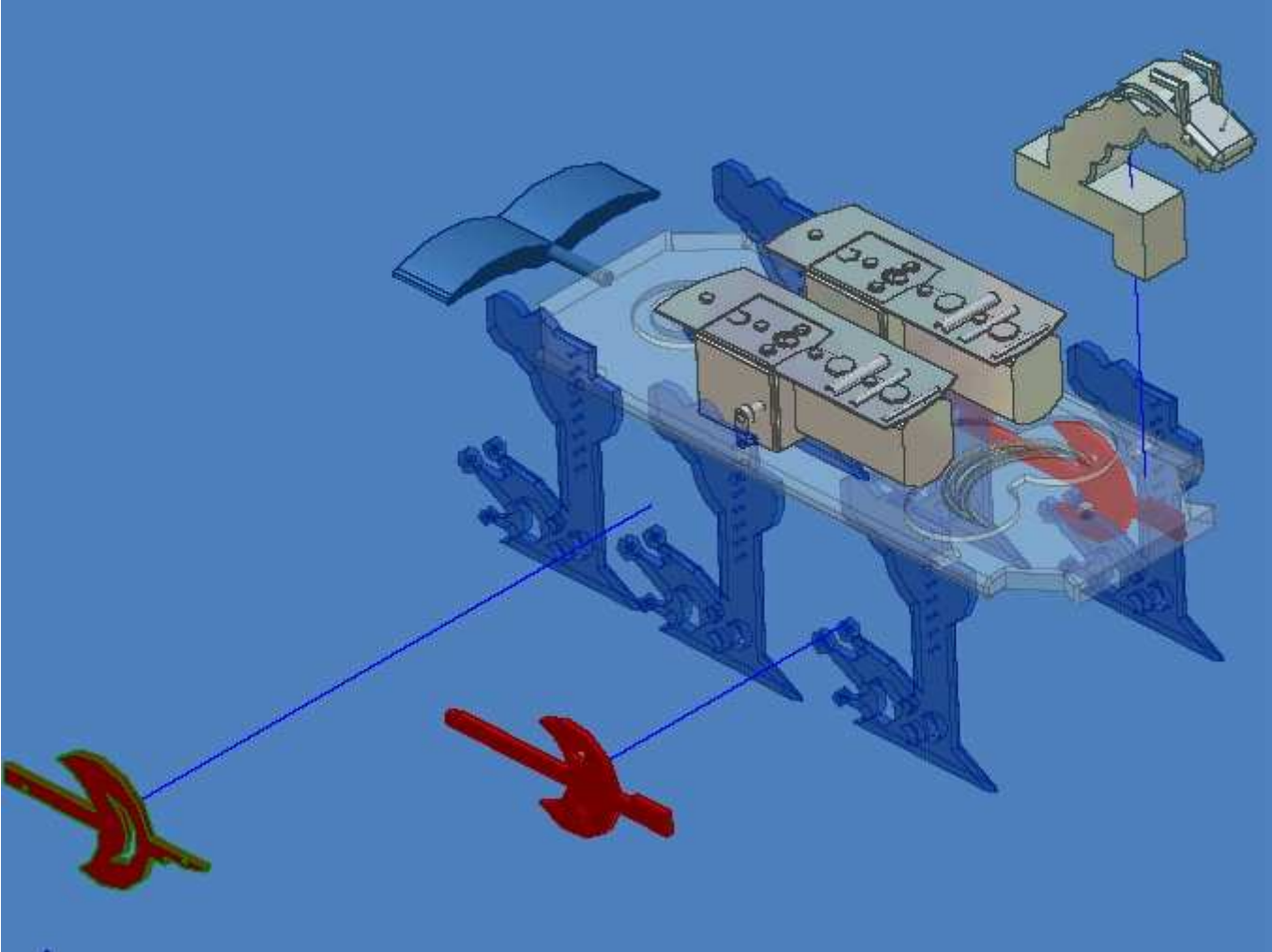


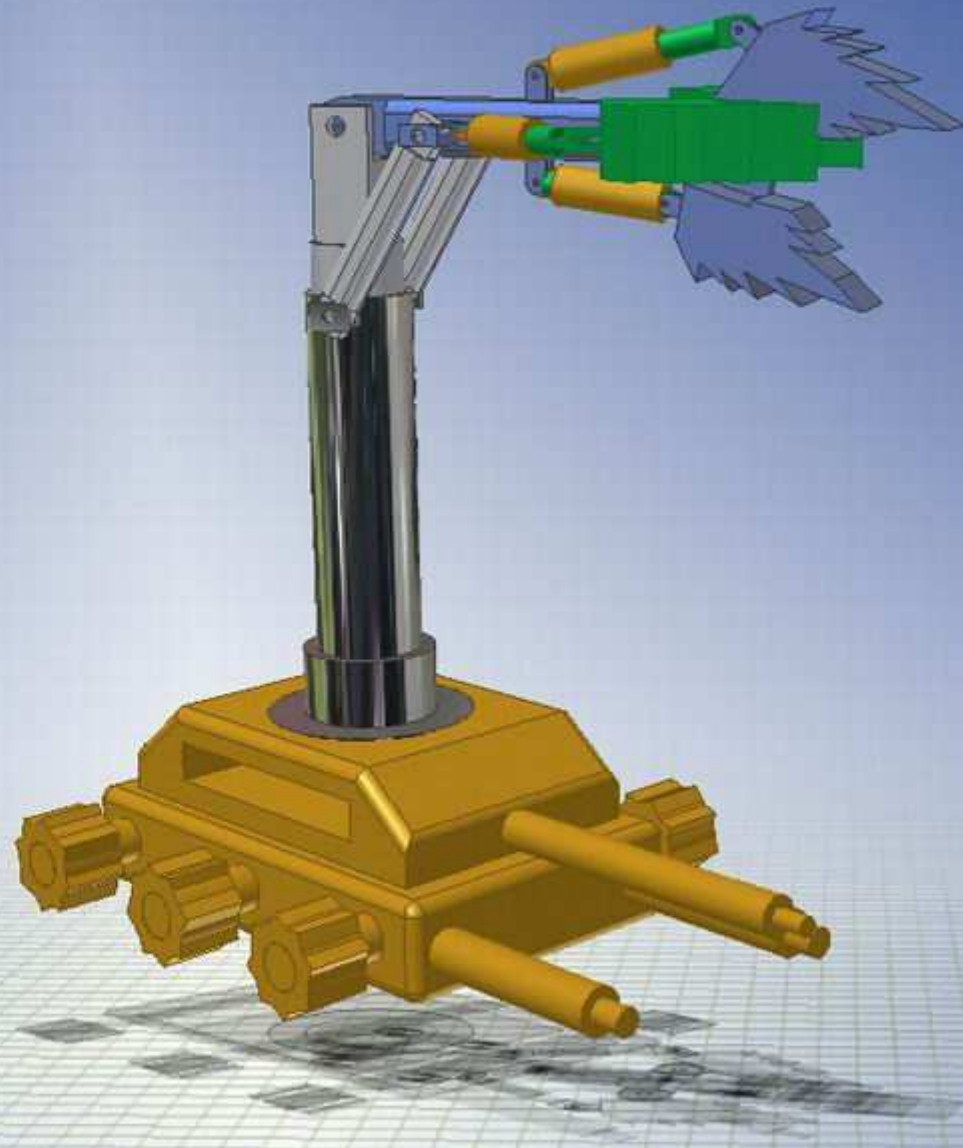




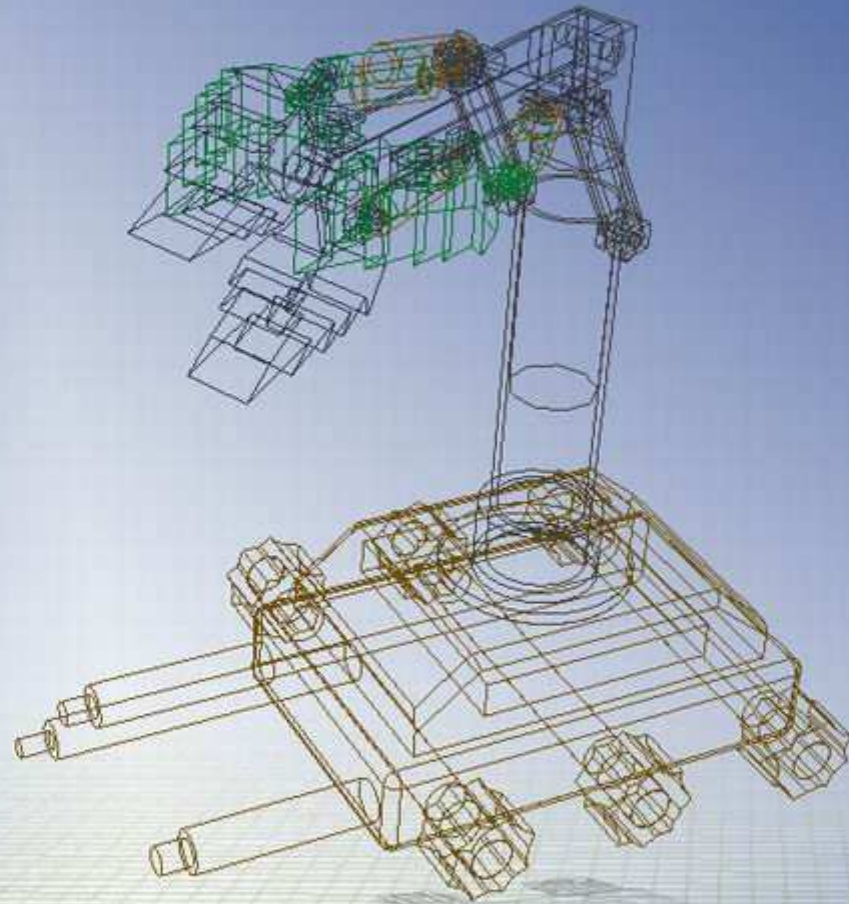
Designed by Simon Suen	Checked by	Approved by date	Date 28/7/2000
			Sheet 1 / 1

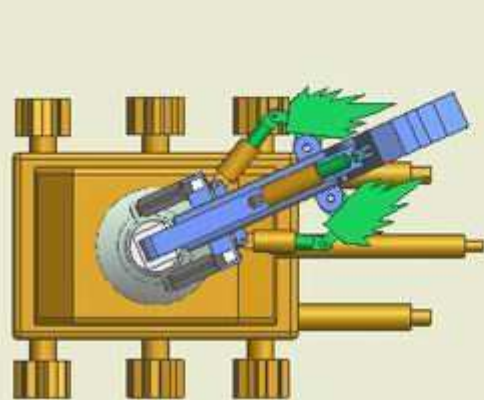
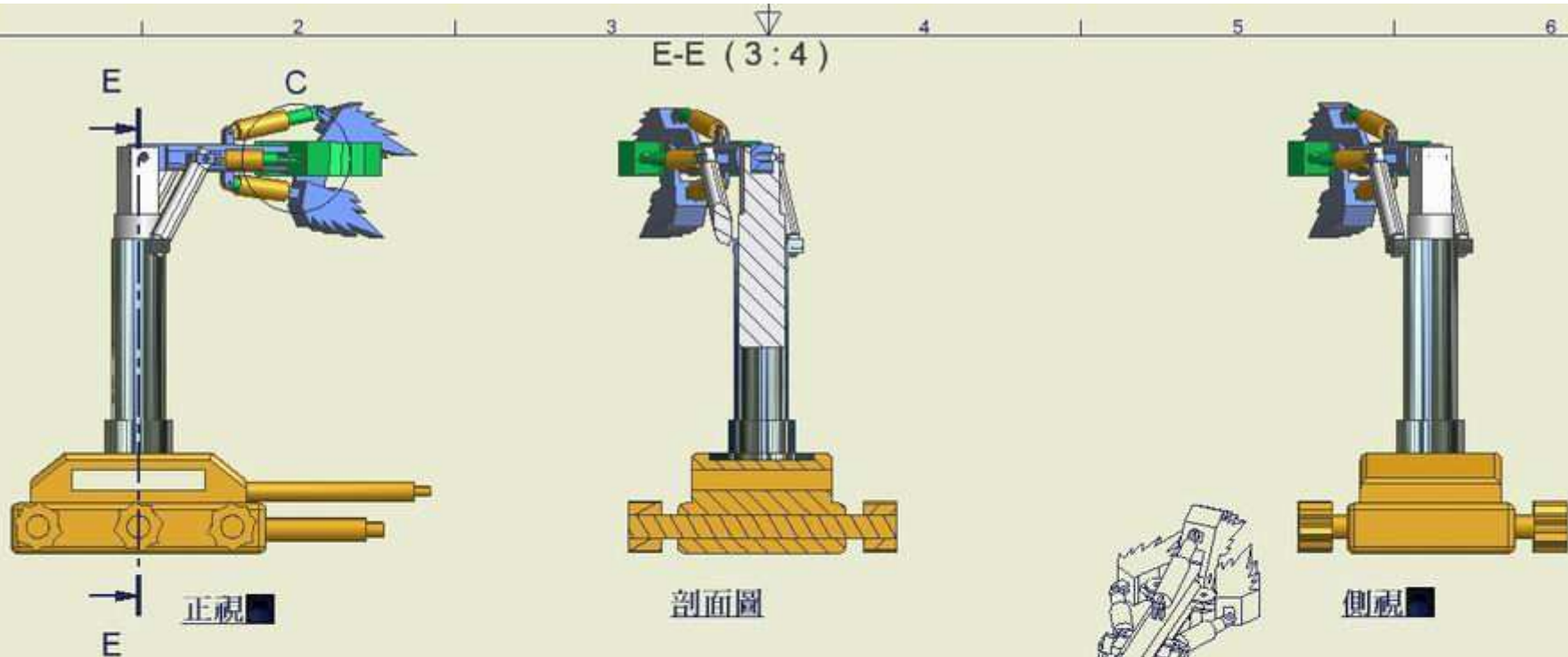




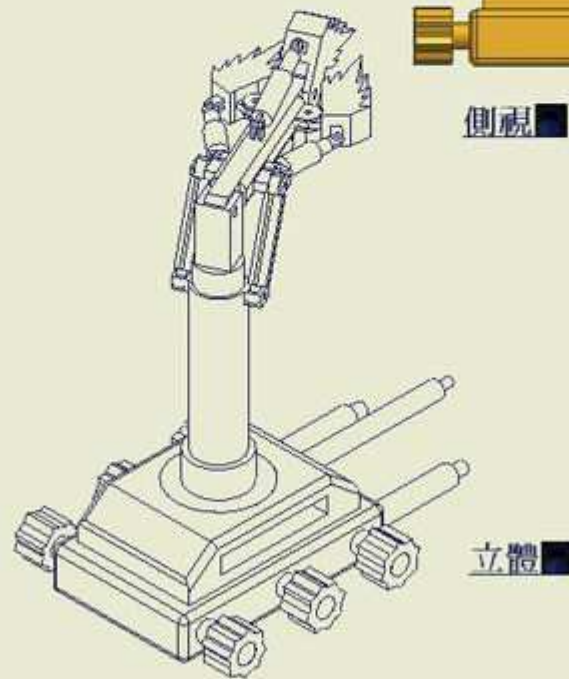
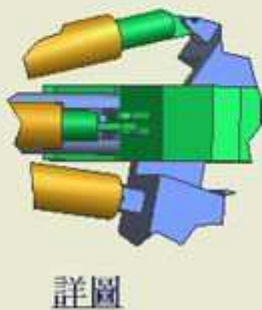




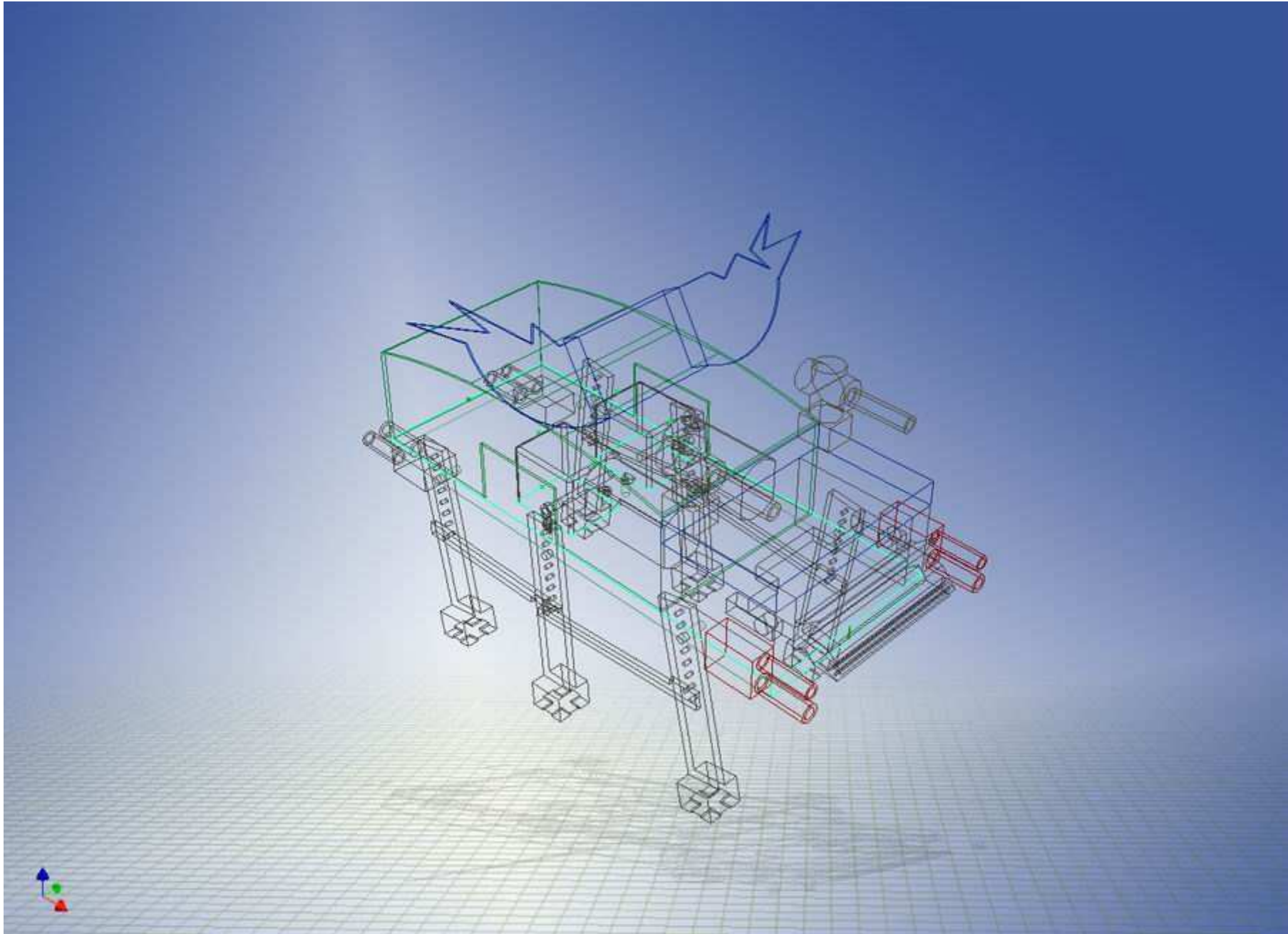


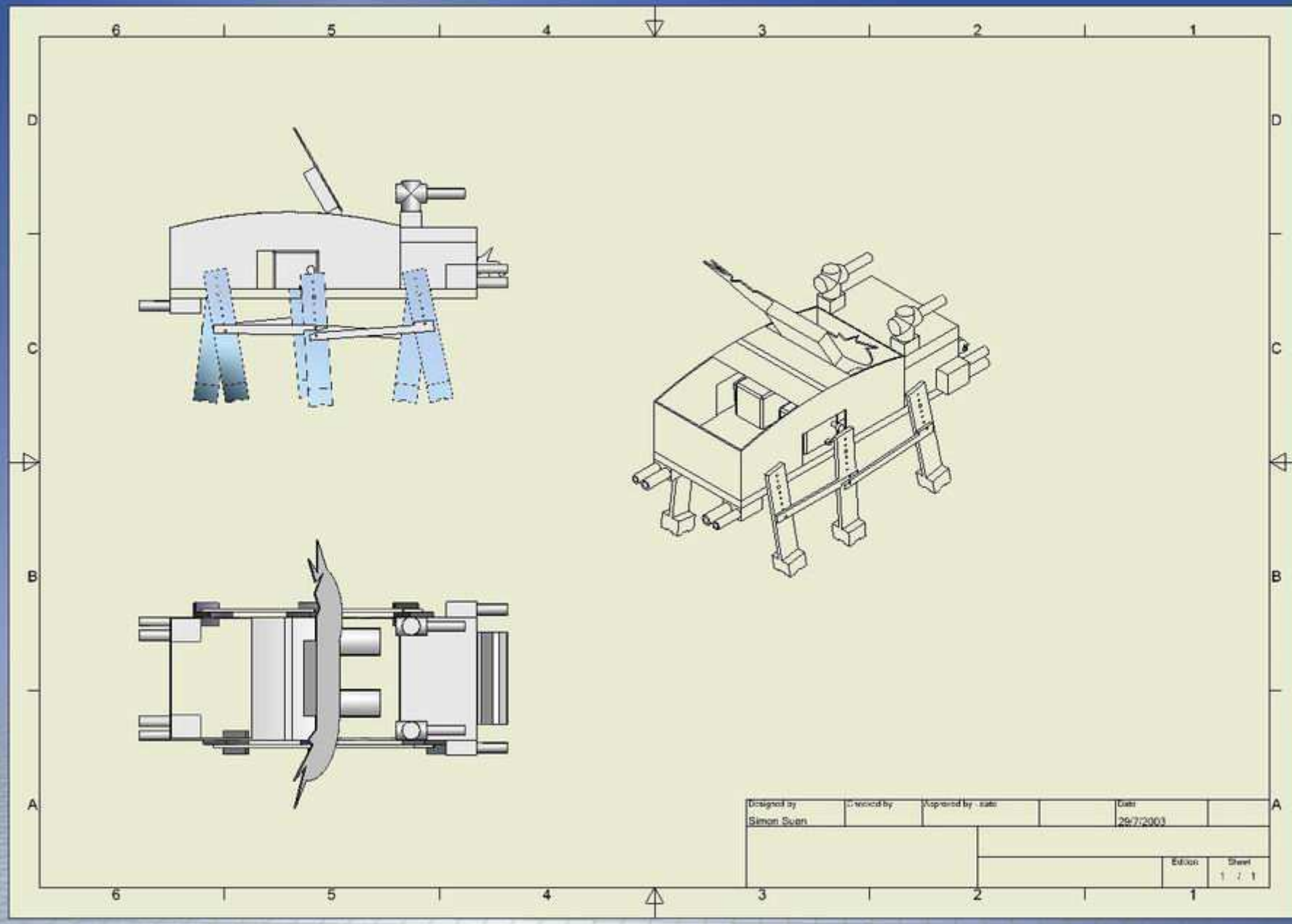


C (1.50 : 1)

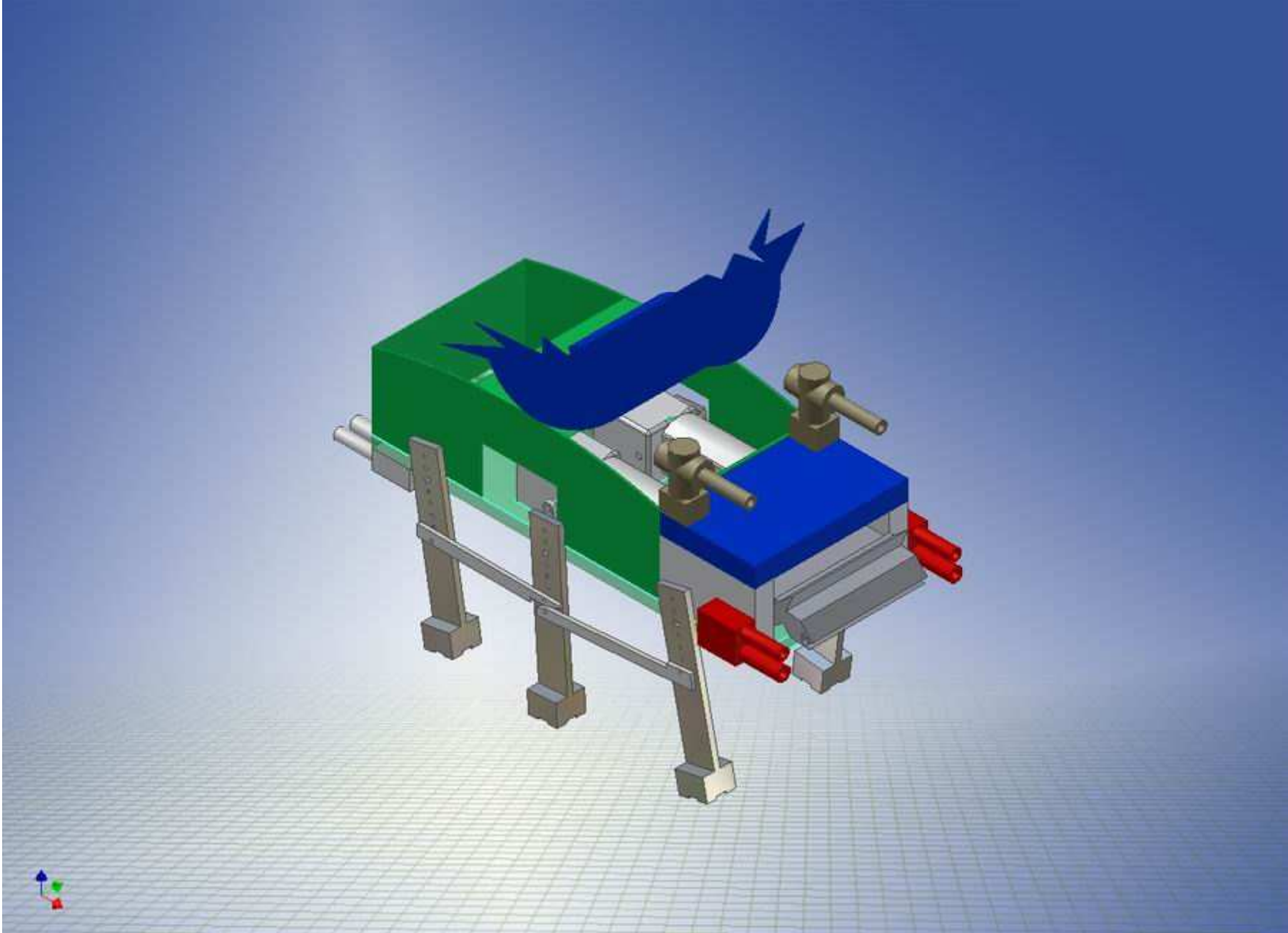


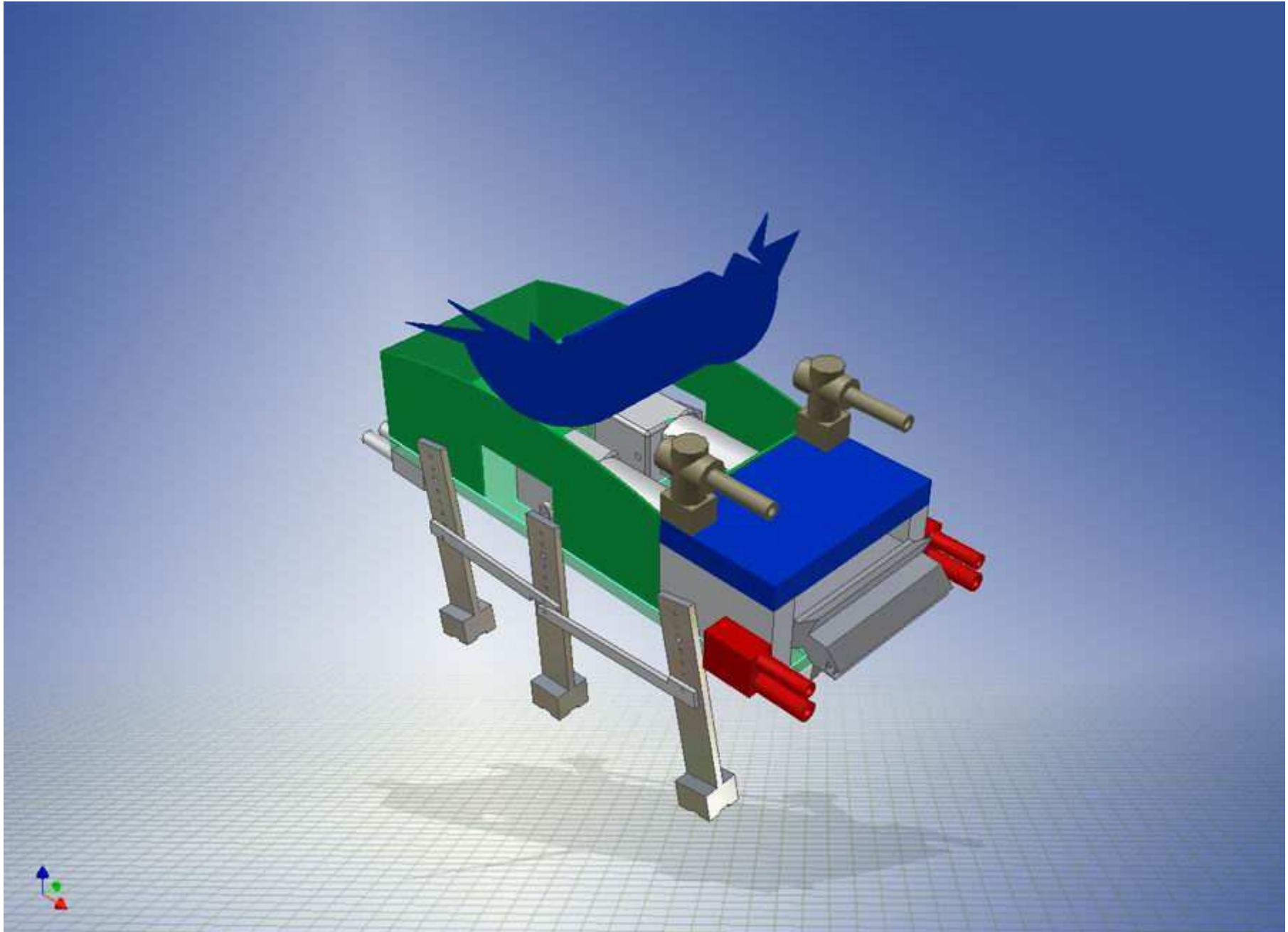
Designed by 2002/5/3	Checked by	Approved by - date	Date 2002/5/3
			Editor





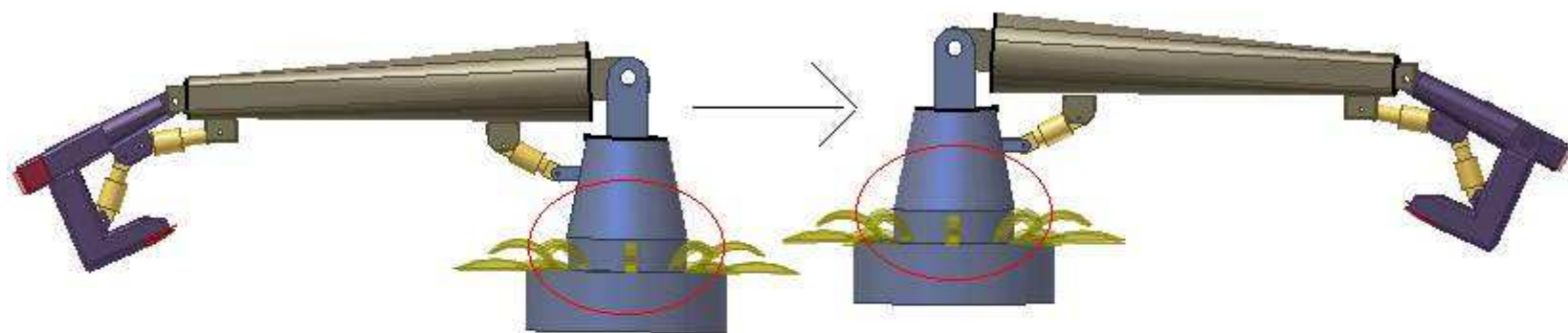
Designed by Simon Swan	Checked by	Approved by: date	Date 29/7/2003
			Edicion 1 / 1





活動一:手掌的開合





活動二:底盤可360度轉動

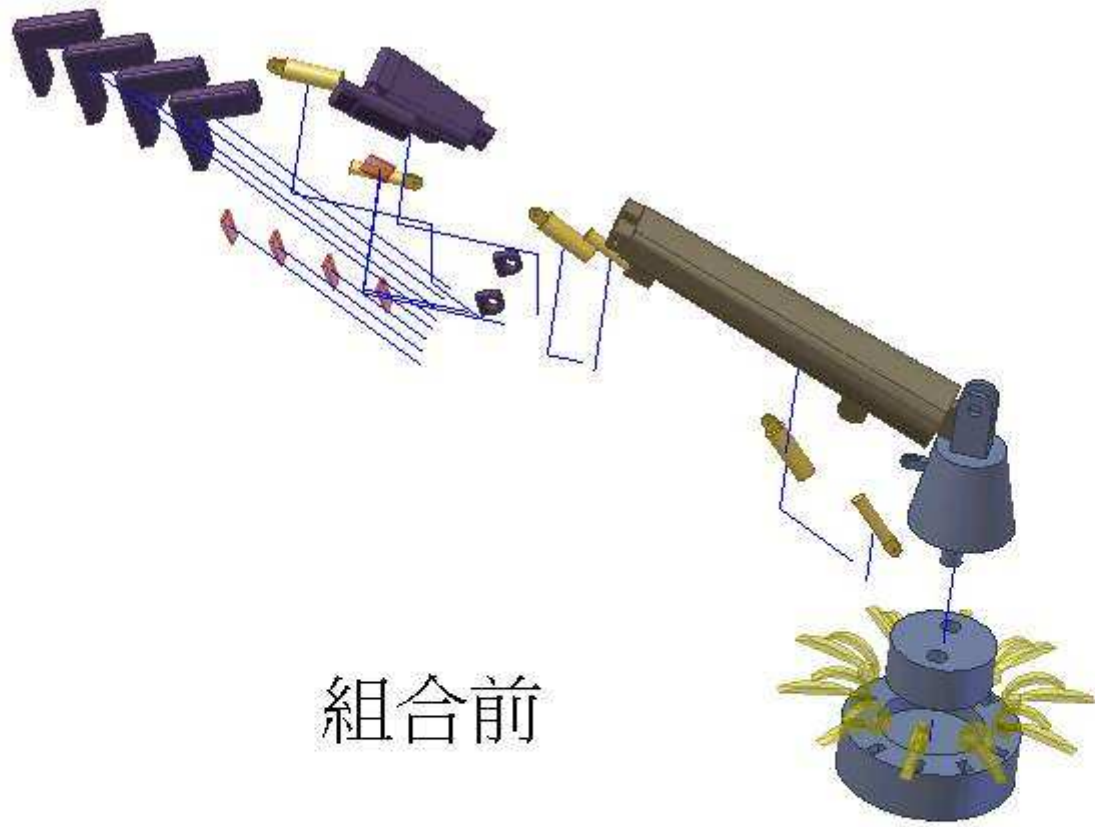


手臂向上移動

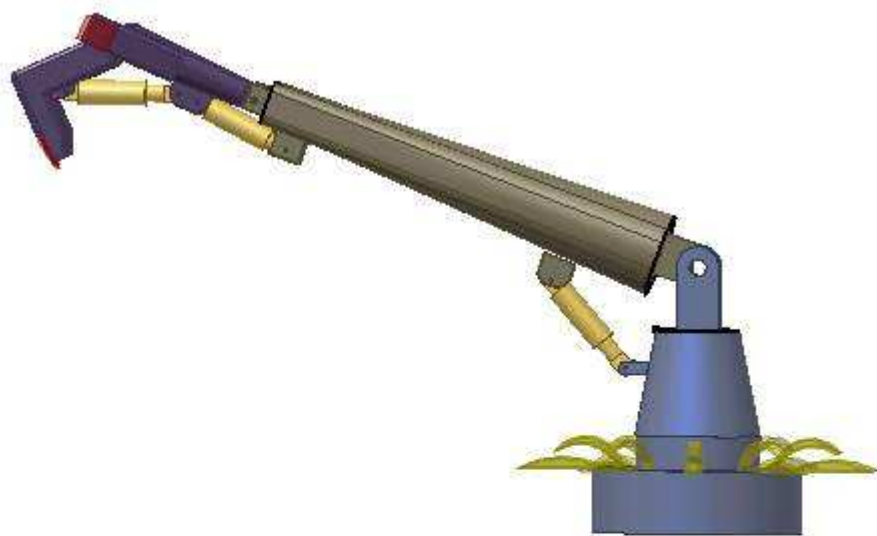


手臂向下移動

活動三:手臂可上下移動



組合前



組合後

